

1-967590-1 ✓ ACTIVE

AMP | AMP MCP Connector System

TE Internal #: 1-967590-1

Automotive Terminals, Receptacle, Mating Tab Width .374 in [9.5 mm], Tab Thickness .047 in [1.2 mm], 9 – 7 AWG Wire Size, AMP MCP Connector System

[View on TE.com >](#)



Terminals & Splices > Automotive Terminals > AMP MCP, RECEPTACLE AND TAB



Terminal Type: **Receptacle**

Mating Tab Width: **9.5 mm [.374 in]**

Mating Tab Thickness: **1.2 mm [.047 in]**

Terminal Transmits: **41 – 100 A (High Power)**

Wire Size: **9 – 7 AWG**

[All AMP MCP, RECEPTACLE AND TAB \(125\)](#)

Features

Product Type Features

Receptacle Style	180°
Sealable	Yes
Primary Locking Feature	Locking Lance

Body Features

Terminal Seal Type	Single Wire Seal (SWS)
--------------------	------------------------

Contact Features

Contact Size	9.5mm
Contact Fabrication	Stamped & Formed
Typical Current Rating	65 A
Crimp Type	F-Crimp
Terminal Type	Receptacle
Mating Tab Width	9.5 mm[.374 in]
Mating Tab Thickness	1.2 mm[.047 in]
Interface Plating	Tin (Sn)
Contact Termination Area Plating Material	Tin (Sn)

Termination Features



Termination Method to Wire & Cable	Crimp
------------------------------------	-------

Product Terminates To	Wire
-----------------------	------

Dimensions

Wire Size	6 – 10 mm ²
-----------	------------------------

Wire Size Search	7 AWG, 8 AWG, 9 AWG
------------------	---------------------

Wire Insulation Diameter	4.6 – 6.4 mm [.18 – .25 in]
--------------------------	-----------------------------

Usage Conditions

Insulation Option	Uninsulated
-------------------	-------------

Operating Temperature (Max)	80 °C, 85 °C, 90 °C, 100 °C, 105 °C, 110 °C, 120 °C, 125 °C, 130 °C [176 °F][185 °F][194 °F][212 °F][221 °F][230 °F][248 °F][257 °F][266 °F]
-----------------------------	--

Operating Temperature Range	-40 – 130 °C [-40 – 266 °F]
-----------------------------	-----------------------------

Operation/Application

Compatible With Wire Base Material	Copper
------------------------------------	--------

Industry Standards

Agency/Standard	LV214
-----------------	-------

Packaging Features

Packaging Method	Reel
------------------	------

Packaging Quantity	500
--------------------	-----

Other

Terminal Transmits	41 – 100 A (High Power)
--------------------	-------------------------

Product Compliance

[For compliance documentation, visit the product page on TE.com>](#)

EU RoHS Directive 2011/65/EU	Compliant
------------------------------	-----------

EU ELV Directive 2000/53/EC	Compliant
-----------------------------	-----------

China RoHS 2 Directive MIIT Order No 32, 2016	No Restricted Materials Above Threshold
---	---

EU REACH Regulation (EC) No. 1907/2006	Current ECHA Candidate List: JUNE 2022 (224) Candidate List Declared Against: JUNE 2022 (224) Does not contain REACH SVHC
--	---

Halogen Content	Low Halogen - Br, Cl, F, I < 900 ppm per homogenous material. Also BFR/CFR/PVC
-----------------	--

Free

Solder Process Capability

Not applicable for solder process capability

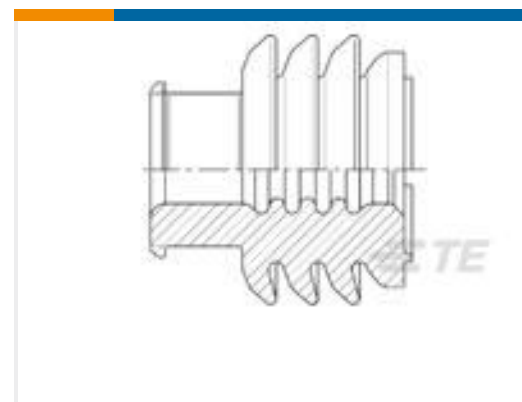
Product Compliance Disclaimer

This information is provided based on reasonable inquiry of our suppliers and represents our current actual knowledge based on the information they provided. This information is subject to change. The part numbers that TE has identified as EU RoHS compliant have a maximum concentration of 0.1% by weight in homogenous materials for lead, hexavalent chromium, mercury, PBB, PBDE, DBP, BBP, DEHP, DIBP, and 0.01% for cadmium, or qualify for an exemption to these limits as defined in the Annexes of Directive 2011/65/EU (RoHS2). Finished electrical and electronic equipment products will be CE marked as required by Directive 2011/65/EU. Components may not be CE marked. Additionally, the part numbers that TE has identified as EU ELV compliant have a maximum concentration of 0.1% by weight in homogenous materials for lead, hexavalent chromium, and mercury, and 0.01% for cadmium, or qualify for an exemption to these limits as defined in the Annexes of Directive 2000/53/EC (ELV). Regarding the REACH Regulation, the information TE provides on SVHC in articles for this part number is based on the latest European Chemicals Agency (ECHA) 'Guidance on requirements for substances in articles' posted at this URL: <https://echa.europa.eu/guidance-documents/guidance-on-reach>

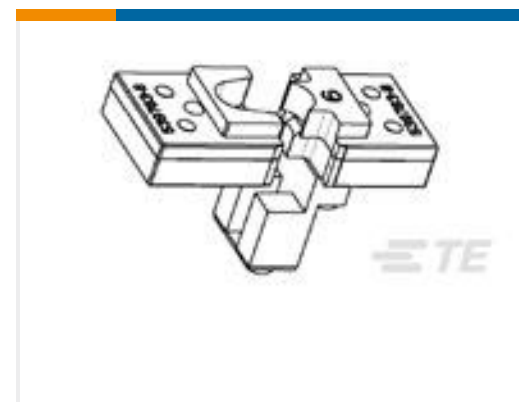
Compatible Parts



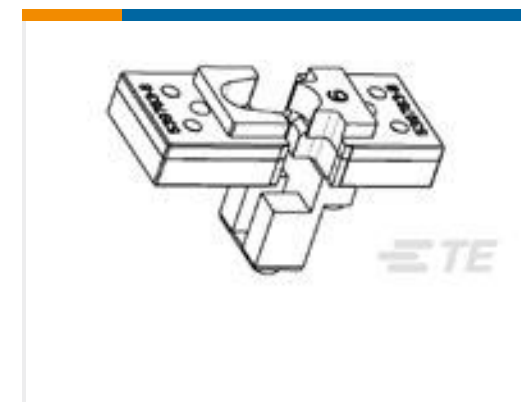
TE Part # CAT-AM705-CH8172
AMP MCP, SEALED CONNECTOR HOUSING




TE Part # 1355437-2
MCP9,5 EINZELDICHTG



TE Part # 539783-8
DIE MCP 9,5 6MM EDS



TE Part # 539783-9
DIE MCP9,5 10MM EDS



TE Part # CAT-L489-CH8172
LEAVYSEAL HOUSINGS



TE Part # 963774-1
TAB 9.5x1.2 CONTACT CS SWS Sn



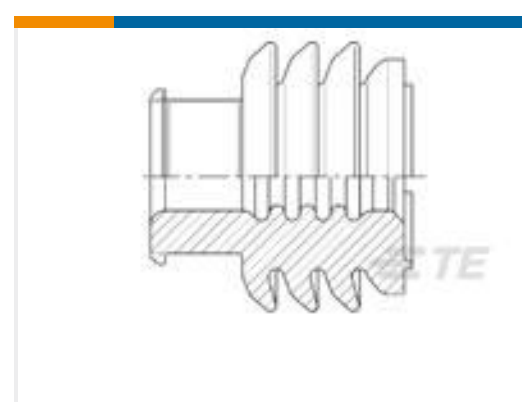
TE Part # CAT-T4827-CH8172
TIMER, CONNECTOR HOUSING



TE Part # 1743793-1
MCP 9.5MM 1P PLUG ASSY



TE Part # 539971-1
EXTRACTION TOOL



TE Part # 1355437-3
MCP9,5 EINZELDICHTG



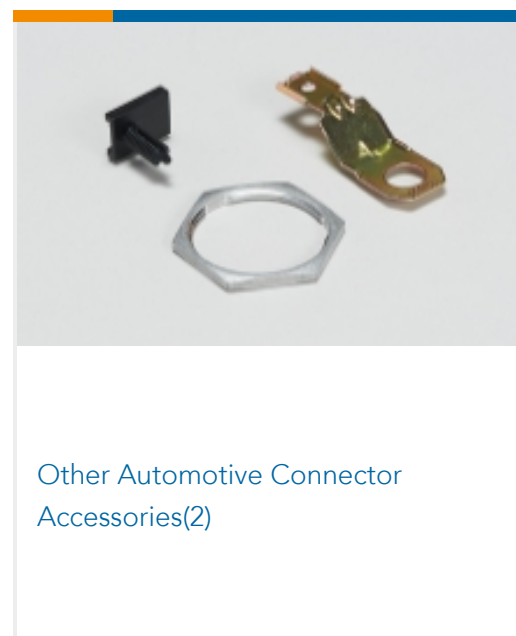
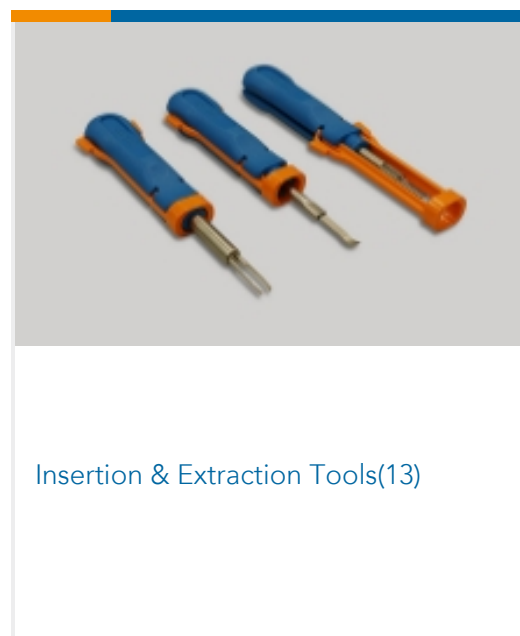
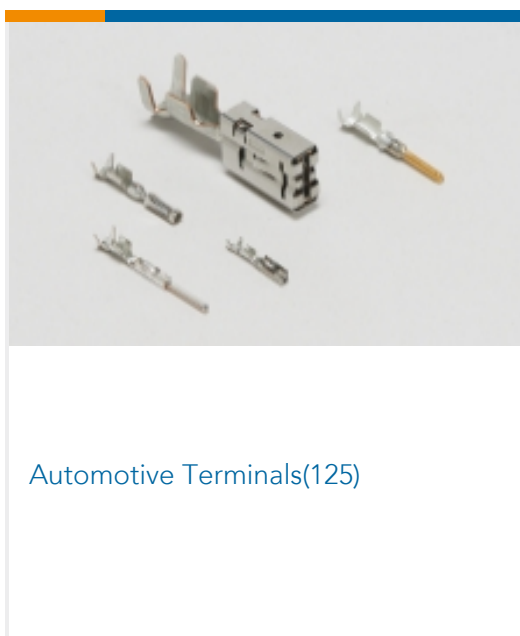
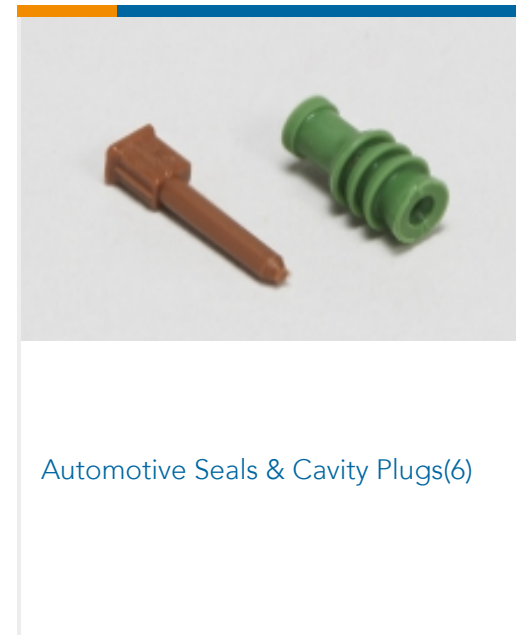
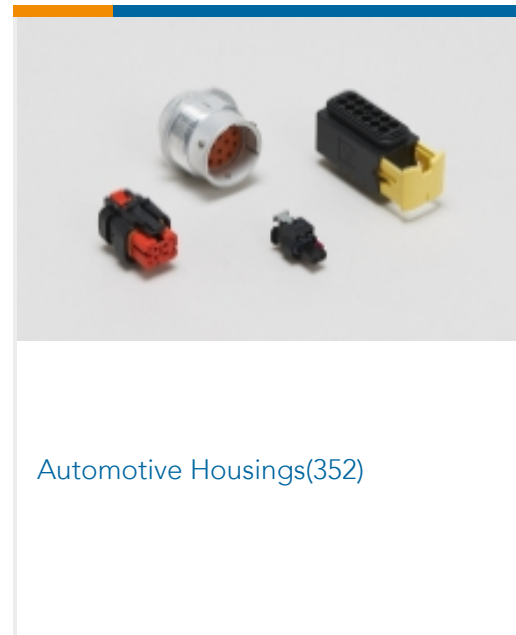
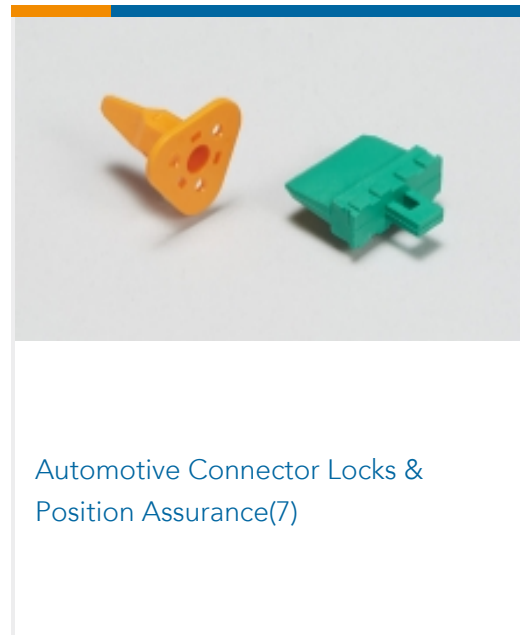
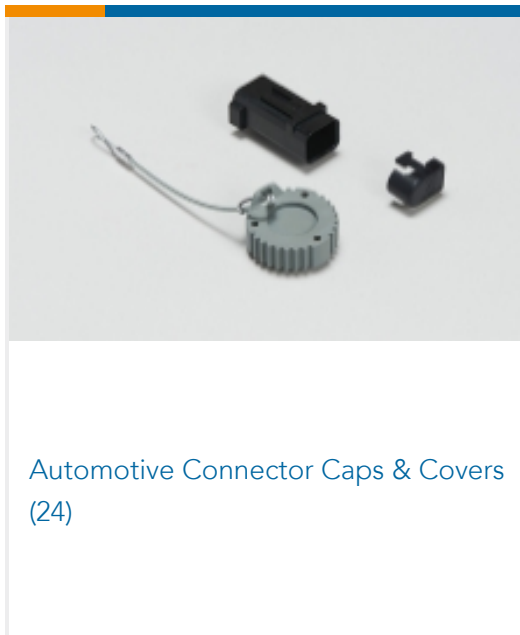
TE Part # 1355437-1
MCP9,5 EINZELDICHTG



TE Part # 2-2151794-2
OCEAN-2.0-APPLICATOR-S-200F4300



Also in the Series | AMP MCP Connector System



Documents

Product Drawings

[AMP MCP 9.5, CONTACT, SWS](#)

English

CAD Files

Customer View Model

[ENG_CVM_1-967590-1_B4.3d_igs.zip](#)

English

Customer View Model

[ENG_CVM_1-967590-1_B4.3d_stp.zip](#)

English

Customer View Model

[ENG_CVM_1-967590-1_B4.2d_dxf.zip](#)

English

3D PDF

English



By downloading the CAD file I accept and agree to the [Terms and Conditions](#) of use.

Datasheets & Catalog Pages

[AMP MCP 9.5 Two Position Connectors Series Brief](#)

English

[AMP MCP 9.5 Two Position Connectors Infographic](#)

English

Product Specifications

[Application Specification](#)

German

[Application Specification](#)

German